

MILANO 1932

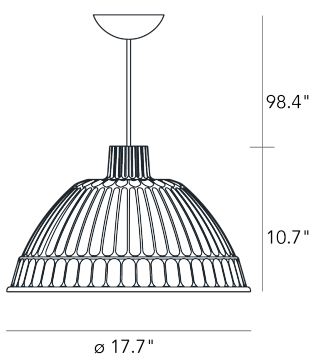


CLOCHE

Historical Archive, 1995

Cloche is the makeover of Pudding, the hanging lamp from the FontanaArte Historic Archive designed in 1995. It comes in a range of soft, contemporary colors. When this latter version is switched on, the light creates a magical effect that enhances the design of the diffuser.

Suspension lamp with direct and dimmable light. Diffuser made of painted plastic polymer. Black power cable. Ceiling rose made of black painted polycarbonate. Bulb not included.



MADE IN

IT

MATERIAL DESCRIPTION

polymer

ALIMENTATION CABLE

Black

COLOR DESCRIPTION SKU

light grey

DIMMER

Dimmable

GROUP TENSION

Bulb

CERTIFICATIONS



LIGHT SOURCE

LED/FL 1× max 40W E26

COLOR

SKU

F426085300GCNU

